

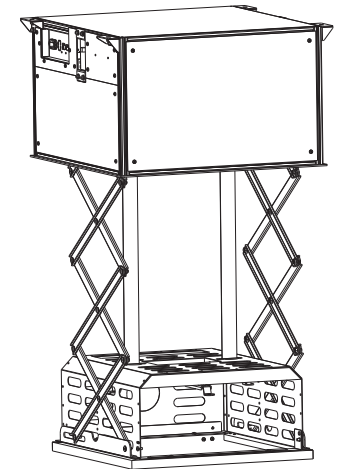


Recessed-Ceiling Motorized Projector Lift

Applicable Model
SAPPL 02

Please read before installation:

Thank you for purchasing this product.
Please read the instruction manual
carefully to ensure this projector lift is
suitable for your installation environment.



Cautious



Warnings

This product should only be installed by a qualified technician.

Please review the manual carefully to ensure it is properly installation and to avoid injury.

The ceiling used must have a minimum load bearing of 12KG.



Caution

For projector lift assembly only



Do not take apart

Please do not take apart the
accessories of mounting bracket

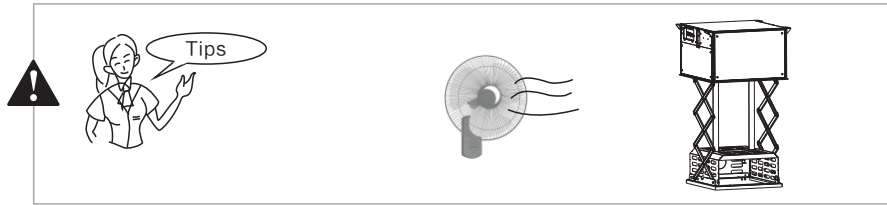
Technical Assistance

If you need help with installing this screen please visit
www.sapphireav.com



Cautions for Location

- Please keep away from hot resources、dirty、high temperature and high humidity.
Do not use the projector off the large wind.



Cautions for Repairing


- Please do not take apart the screws of the projector lift;
if this product needs to be repaired, please
contact our company or dealers.



Caution

Warnings: Please prevent projector lift from wet place to avoid electric or fire dangerous.

1. Please read carefully with this instructions before installation to avoid damage to product causing by inappropriate installation or operation.
2. Please keep the projector lift away from hot sources, such as radiator, heating machine, fireplace, loudspeaker or other relative device.
3. Only Plug with ground wire is acceptable.
4. Only accessories from authorized supplier is acceptable.
5. Please unplug the power wire when lighting and raining or not use with a long time.
6. Please handle the repair work to the professional agent.
7. Please prevent screen from water as well as putting stuff with water (such as vase) on the screen.
8. As soon as the plug of the screen is connected to the power source, the screen is connecting with electricity.
9. Please use the approved power line (three-core power line)/ device interface/power plug.
10. Please use the rating (voltage, amps) power line (three-core power line) / device interface/power plug. If have any questions about power line/ device interface/power plug, please contact the professional people.
11. After installation, please locate a power device in order to disconnect power or connect the power plug to electrical socket. This electrical socket should be installed to a convenient position. If the accident occurs during operation, please disconnect power or take out the power plug.
12. The ceiling or wall used for fixture installation must be secure enough; load-bearing requirement must be 4 times of the projector lift to prevent the projector lift from falling.

 **Warnings** 

To prevent from electric dangerous, please don't remove the cover . There is no need for users to check the parts inside, please handle the problems to professional repairman.



Please notice the non-insulated voltage of the spare parts to prevent from electric dangerous.



Please operate according to the instruction manual

Cleaning

Please clean the projector and projector lift at the same time.

Accessories

- M4 Hexagonal Adjuster (1pc)
- M5、M4、M3×20mm Screw(each 4 pcs)



- Rubber Washer $\varnothing 5 \times 10 \text{mm}$ (4pcs)
- Battery (1set)
- Controller(1pc)



- Power Socket
- Instruction Manual

Optional Accessories

- Wall-Switch(1pc)

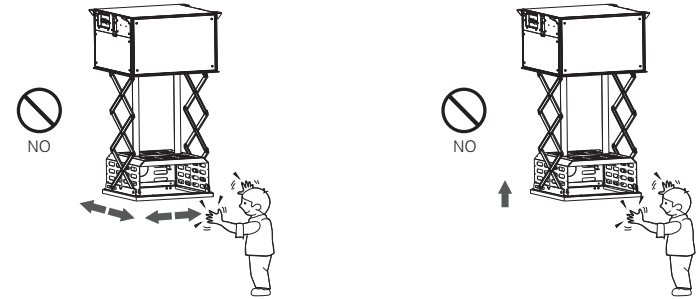


Cautions

Please comply the following contents for installation and use

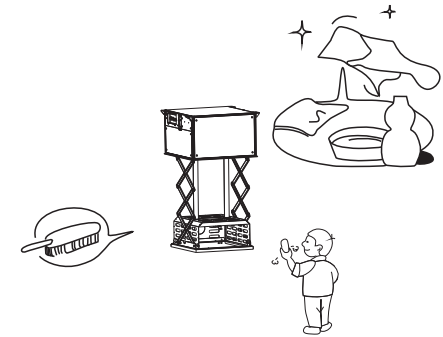
Cautions

- Please do not shake the projector lift
- Please do not lift up the projector lift



Maintain

- Please clean the projector lift with dilute detergent slightly, and then dry up the lift. Use the soft hairbrush to clean the gap



Kindly Reminder: Do not change the factory pre–settings for any urgency,pls operate according to the following instructions if necessary

2) Remote Localizer

- When the projector lift is at loading situation, you can adjust the upper/lower limitation via the remote controller.
- To press the localizer hole at the back of the remote controller with one small pin or equivalence for about 3 seconds and the release, then press UP button for strap to the desired position and stop. Press the localizer hole again to quit setting mode, the projector lift is already reset for its retract limit.

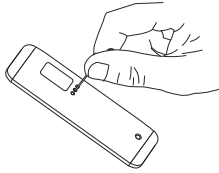


figure 16

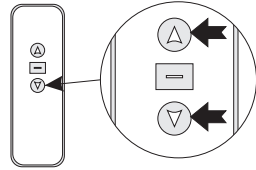


figure 17

- To press the localizer–hole at the back of the remote controller with one small pin or equivalence for about 3 seconds and release, then press DOWN button for strap to the desired position and stop. Press the localizer hole again to quit setting mode, the projector lift is already reset for its retract limit.

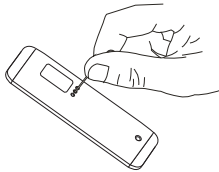


figure 18

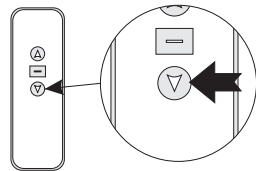


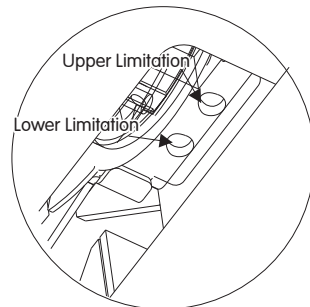
figure 19

⚠ Note: For ensuring the security of positioning function, the effective setting period of electric positioning should be 60 seconds, after 60 seconds will return to normal situation. If the setting fails within 60 seconds, please repeat as following step; to press the setting button; then LED light will turn off; press the setting button again, then LED light will turn on. In this movement, the resetting function will begin.

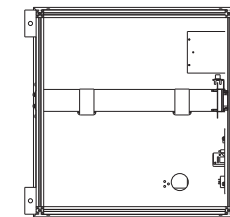
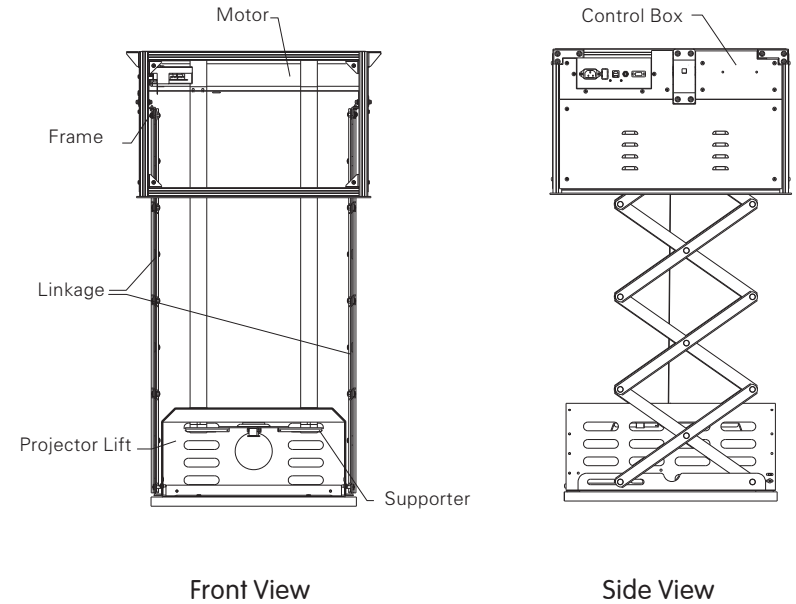
Motor Positioning

Do not roll and retract the projector lift continuously over 4 minutes in a time to avoid overheating. If the motor overheats, keep 30 minutes for heat elimination. No lubrication needed for the motor, the drop and retract limit of the projector lift has been prepositioned to an optimal configuration before delivery. In order to avoid motor damage, please ask the local dealer or professional for consultation when a new position setting is needed.

Use the M4 allen–key for adjusting the upper and lower limitation of projector lift, but the distance can not be over than the value D in specification table.



Construction for Projector Lift

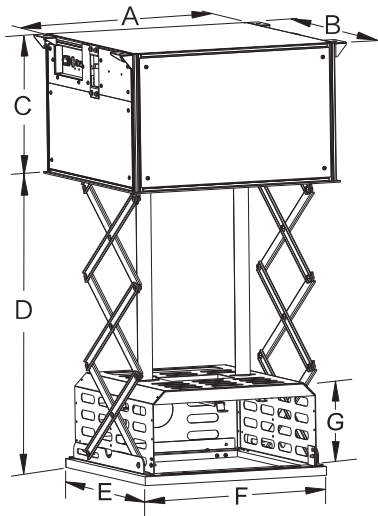


Top View

Specifications

Product Specifications

Model	Size(unit:mm)						
	A	B	C	D	E	F	G
SAPPL 02	600	550	345	0~1000	483	483	200



Ceiling Cutout size: L: A-20mm, W: B+5mm

Projector Lift Positioning Function

There are 2 solutions to position the projector lift, which are upper/lower limitation and remote localizer

1) Upper/Lower Limitation Adjustment for Sling Wires

Upper limitation and lower limitation are preset in factory, the upper limitation should be a little higher than ceiling, lower limitation is showed as numerical value D in the specification table (the upper/lower limitation for sling wire have to be regulated by professional people or dealers. Improper regulation will cause the risk of dangers)

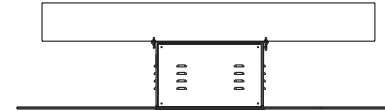


figure 12

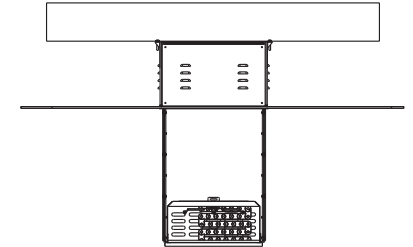


figure 13

⚠ The following operation must be controlled by professional people

- For upper limitation adjustment, take off the knob from the hole and use the provided allen key to adjust. A clockwise adjustment will retract the projector lift (the distance of installation position of casing will decrease) and a counter-clockwise adjustment will extend the projector lift (the distance of installation position of casing will increase)
- For lower limitation adjustment, take off the knob from the hole and use the provided allen key to adjust. A clockwise adjustment will extend the projector lift (the distance of installation position of casing will increase) and a counter-clockwise adjustment will retract the projector lift (the distance of installation position of casing will decrease)

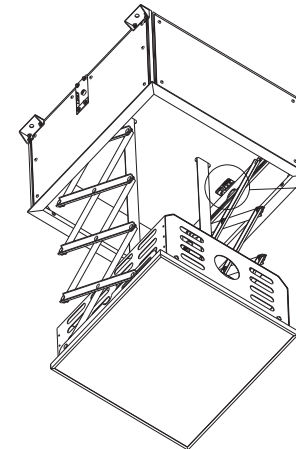


figure 14

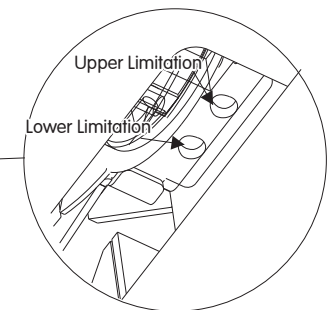


figure 15

Connect the power for projector lift A, and send out directive 0xFF 0x10 0x11 0x12 0xAA. At the same time, the address of projector lift A is 0x10 0x11 0x12. Entering the operating address of projector lift A can control this projector lift.

Directive for retracting: 0xFF 0x10 0x11 0x12 0xC9

Directive for stopping: 0xFF 0x10 0x11 0x12 0xCC

Directive for extending: 0xFF 0x10 0x11 0x12 0xE9

Completed the studying in projector lift A, and then disconnect the power for projector lift A. Please operate the projector lift B in the same way and change the address to 0xAA 0xAA 0xAA. Entering the operating address of projector B can control this projector lift.

Directive for retracting: 0xFF 0xAA0xAA 0xAA 0xC9

Directive for stopping: 0xFF0xAA0xAA 0xAA 0xCC

Directive for extending: 0xFF0xAA0xAA 0xAA 0xE9

This studying is one address bit for a long time until next address bit change to update.

After studying address bit, the common directive is still effective, so the address bit can not be 0xEE 0xEE 0xEE.

Attachment 1

Compare 16 hexadecimal system and 10 hexadecimal system

16 hexadecimal system	1	2	3	4	5	6	7	8	9	A	B	C	D	E	F
10 hexadecimal system	1	2	3	4	5	6	7	8	9	10	12	13	14	15	16

4. Remote Controller Instruction

(The matching between controller and projector lift is already done in factory pre-setting)

There is matching function between controller and projector lift, and then the controller needs to be programmed before using.

- 1) The projector lift is at situation of load. After connecting the power within 5 seconds, please press UP button and stop button simultaneously for 5 second then release
- 2) Press DOWN button to ensure whether the programming works
- 3) If the programming fails, please repeat step 2 and 3

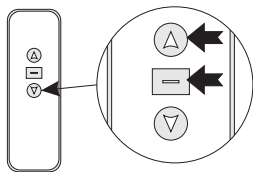


figure 10

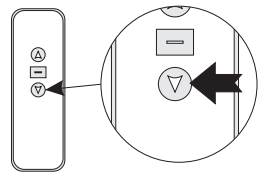
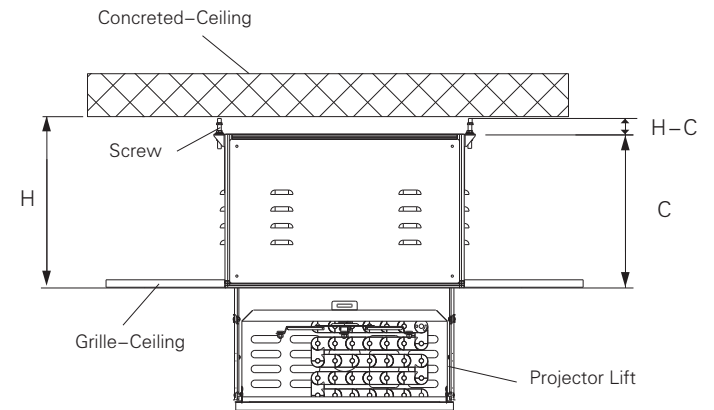


figure 11

Installation

This projector lift needs to be recessed into the ceiling, and this instruction shows us the grille-ceiling as the example. Please install the projector lift according to different application. The projector lift needs to be recessed at the best viewing angle in order to improve the image. Take out all the parts from the packaging and follow the accessories guideline to ensure you have all parts.

* For the convenience and safety, please read this instruction manual carefully and choose a installation according to your requirement.



Grille-Ceiling Mount

1. Choose a position according to the required space, and then take apart the ceiling (figure 1). Please measure the distance H between roof and ceiling surface correctly (figure 2)

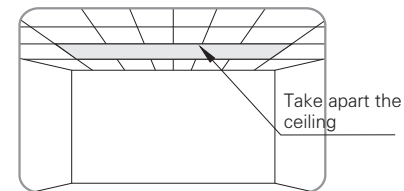


figure 1

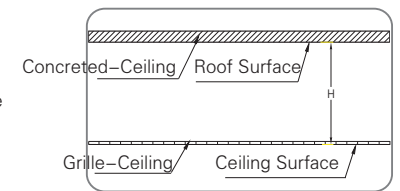


figure 2

2. Ensure the security distance M、N according to the figure 4 and the model of table. Install the brackets to the roof via the screws, figure 5.

(note: Due to product updates、sizes and specifications are subject to change at any time)

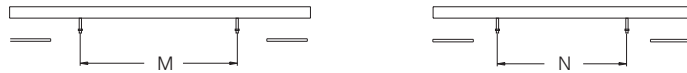
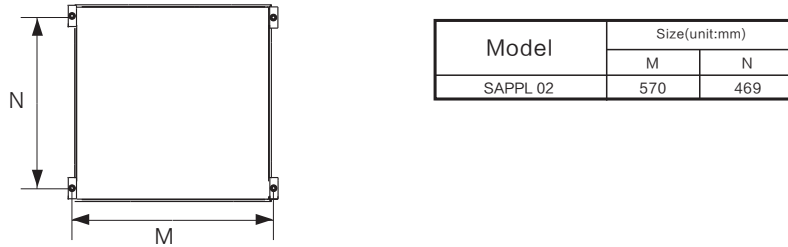


figure 3

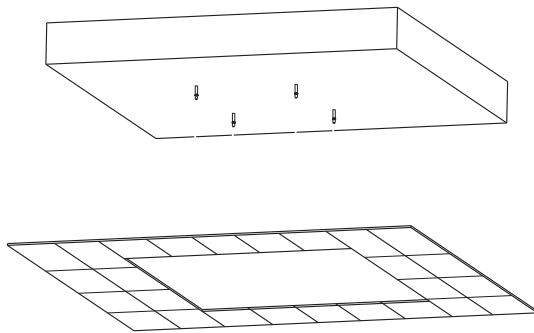


figure 4

Grandview Projector Lift RS485 Setting Address

1、RS-485, RS-232 input

A continuous data sends two times, each time interval of 200ms

3 bytes of studying address directive are custom setting address directive

Central Control Format Agreement

1)Communication Agreement Setting

Data Bits: 8 bits

Start Bits: 1 bit

Stop Bits: 1 bit

Baud Ratio: 2400

Common directives are in chip of projector lift and can not be changed

- 2) Directive for retracting : 0xFF 0xEE 0xEE 0xEE 0xC9
- 3) Directive for stopping : 0xFF 0xEE 0xEE 0xEE 0xCC
- 4) Directive for extending : 0xFF 0xEE 0xEE 0xEE 0xE9
- 5) Studying address directive: 0xFF 0xXX 0xXX 0xXX 0xAA

2. Directive Composing Instruction:

0xFF is only bit; 0x stands for hexadecimal system; FF is effective bit; a directive is composed by 5 bits.

Studying directive 0xFF 0xXX 0xXX 0xXX 0xAA

0xFF and 0xAA can not be changed, but 0xXX 0xXX 0xXX can be changed to any 16 hex data, which stand for address bit

The changed working directive

- 1) Directive for retracting: 0xFF 0xXX 0xXX 0xXX 0xC9
- 2) Directive for stopping: 0xFF0xXX 0xXX 0xXX 0xCC
- 3) Directive for extending: 0xFF 0xXX 0xXX 0xXX 0xE9
- 4) Studying address directive: 0xFF 0xXX 0xXX 0xXX 0xAA

Example: The studying directive is 0xFF 0x10 0x11 0x12 0xAA which can be changed to:

- 5) Directive for retracting: 0xFF 0x10 0x11 0x12 0xC9
- 6) Directive for stopping: 0xFF 0x10 0x11 0x12 0xCC
- 7) Directive for extending: 0xFF 0x10 0x11 0x12 0xE9
- 8) Studying address directive: 0xFF 0x10 0x11 0x12 0xAA

3. Studying Directive and Operation

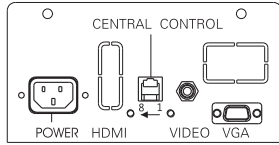
After connecting power, studying status will operate within the first 10 seconds. The studying directive is 0xFF 0xXX 0xXX 0xXX 0xAA. The screen can be used normally after study completed, but the projector lift can not be used normally after the address bit changed, so that one port can be used to control many projector lifts.

Example:

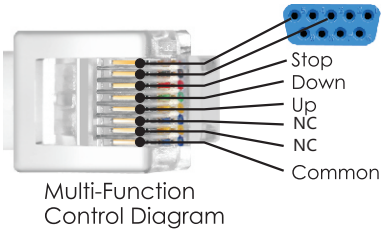
There are projector lift A and B with RS-485 port, if need to control these two projector lifts synchronously that the directive 0xFF 0xEE 0xEE 0xEE 0xDD will be sent out from the port. If need to control these two projector lifts in different movement, such as projector lift A goes down and projector lift B goes up, common directive can not be used and separated by address bit at this time.

Central Control Instruction

Emitter Function

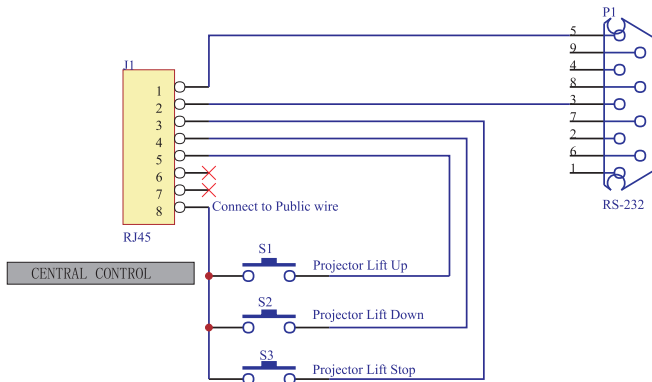


1	RS232 GND / RS485 A
2	RS232 TXD / RS485 B
3	ProjectorLiftStop
4	ProjectorLiftDown
5	ProjectorLiftUp
6	NC
7	NC
8	Common Line



Central Control Format Agreement Communication

Function	Hexadecimal System	decimal System
Directive for retracting	FF EE EE EE C9	1099225296585
Directive for stopping	FF EE EE EE CC	1099225296588
Directive for extending	FF EE EE EE E9	1099225296617



3. Figure 6, install the projector lift and fasten. The low frame of projector must align to ceiling.

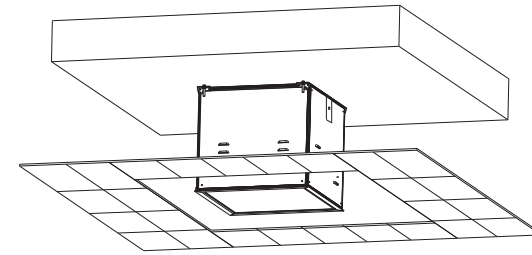


figure 5

4. Figure 7, check about the balance of projector lift

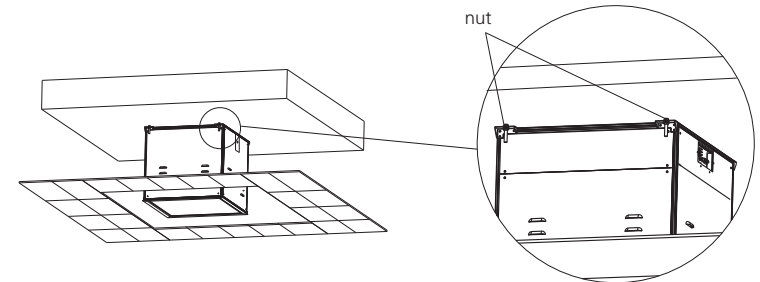


figure 6

5. Figure 8, connect the power cord and signal cord (Circuit wiring diagram 9)

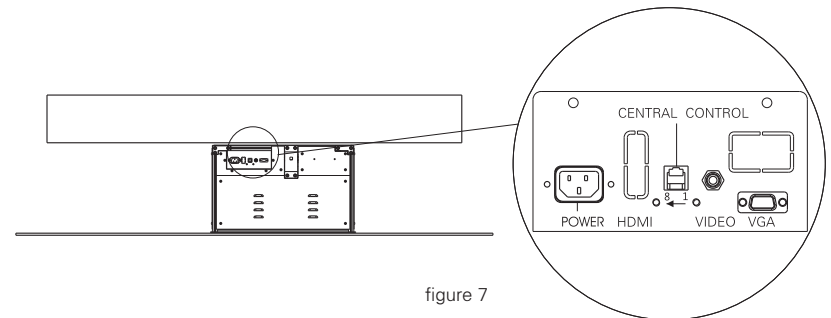


figure 7

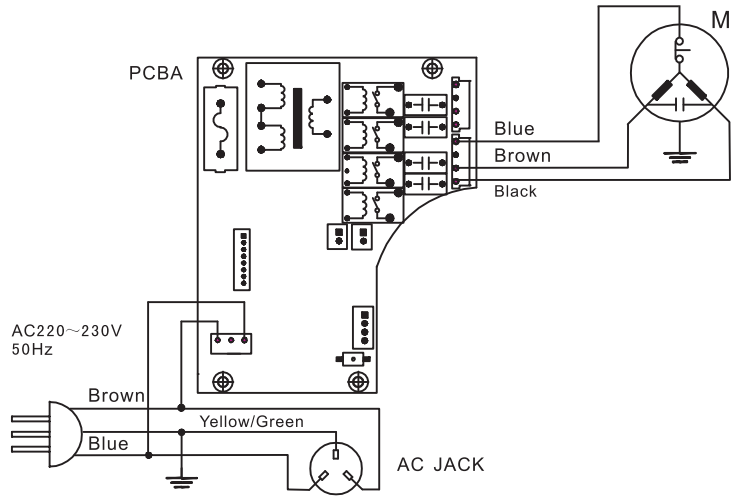


figure 8

6. Cut the ceiling board(Step 1)to a suitable size,which can maintain the gap after retracting of the projector lift

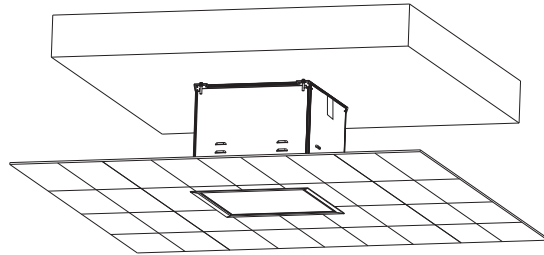


figure 9

7. Please read the 《Remote Electric Positioning》 for controlling the projector lift. After the adjustment, ensure the height of projector lift can satisfy your requirement after extending. And then, ensure the bottom of projector lift must align to the ceiling after retracting. Note: the operating must be controlled by professional people.

Electricity

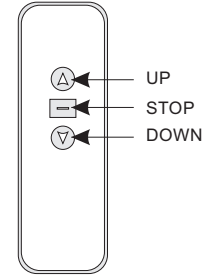
AC: 230 v 50Hz
170W (0.7A)

Instruction

1.Remote controller instruction

Button instruction for controller

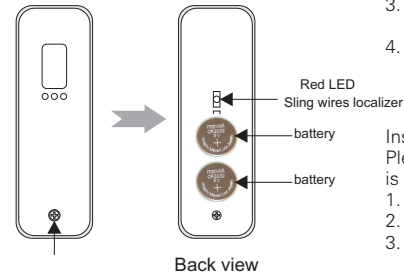
1. Press "UP" , projector lift goes up
2. Press "STOP" , projector lift stops
3. Press "DOWN" , projector lift goes down



Front view

Remote controller guideline:

1. Work temperature: -20° to 70°
2. Batteries: 1.5V x 2pcs, model: AAA.
3. Take out batteries if the controller will not be used for a long time.
4. Please change the batteries when signal is weak.



Back view

Installation for controller batteries

Please replace the batteries when the signal of controller is weak

1. Push out the battery cover on the back of controller
2. Install the batteries as guide arrow
3. Reinstall the battery cover

Caution

Install the batteries correctly

Wall-Switch Function

Please follow the signs and symbols on the wall-switch

