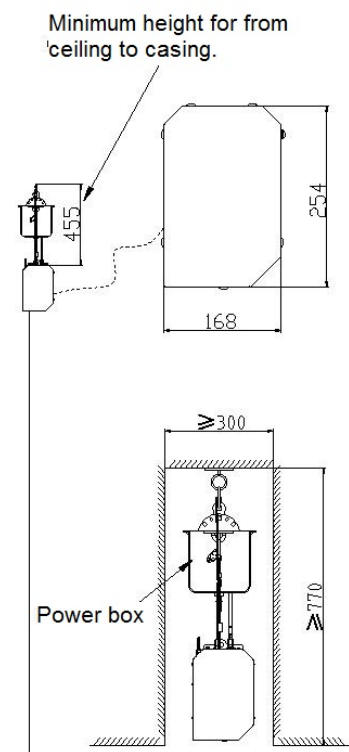


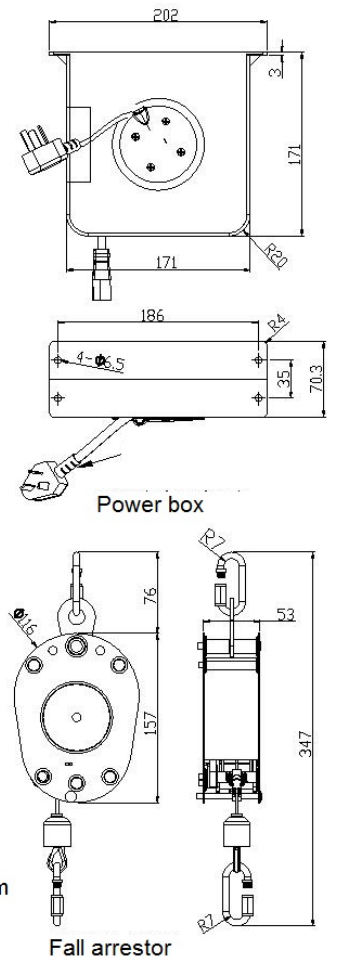
SSM400RADV



	4:3					16:9							16:10				
	135"	150"	180"	200"	240"	124"	138"	150"	180"	200"	217"	220"	128"	150"	180"	200"	226"
W	2713	3048	3620	4020	4878	2745	3056	3320	3984	4428	4804	4870	2757	3231	3877	4308	4878
H	2057	2286	2715	3015	3660	1544	1719	1867	2240	2491	2702	2740	1723	2019	2423	2692	3049
B1	80	80	80	80	80	79	76	80	80	80	80	81	73	80	80	80	80
B2	80	80	80	80	80	80	80	80	80	80	80	80	80	80	80	80	80
B3	200	200	200	200	200	200	200	200	200	200	200	200	200	200	200	200	200
L	3237	3542	4114	4514	5372	3237	3542	3814	4478	4922	5298	5372	3237	3725	4371	4802	5372



Ceiling cutout length = L + 200mm
(Ceiling cutout)



SSM model
Unit: mm