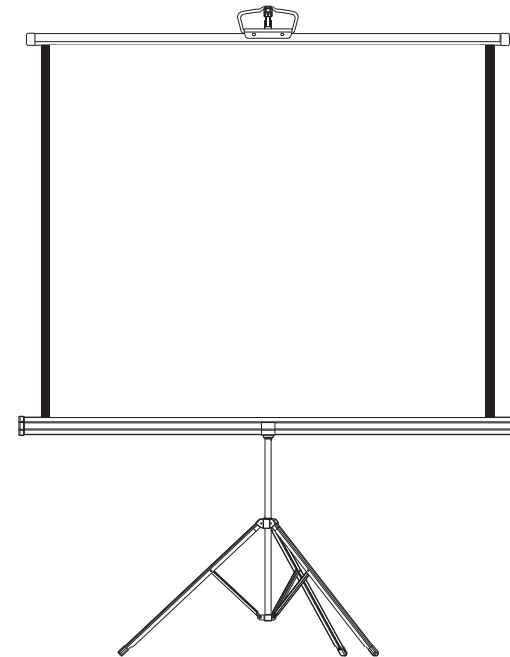




**Instruction Manual**  
**STS Series Tripod Screen Charming Model**

---



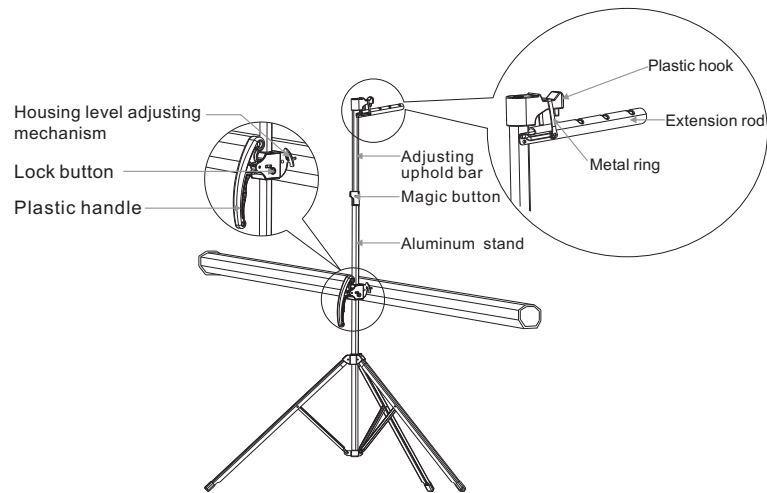
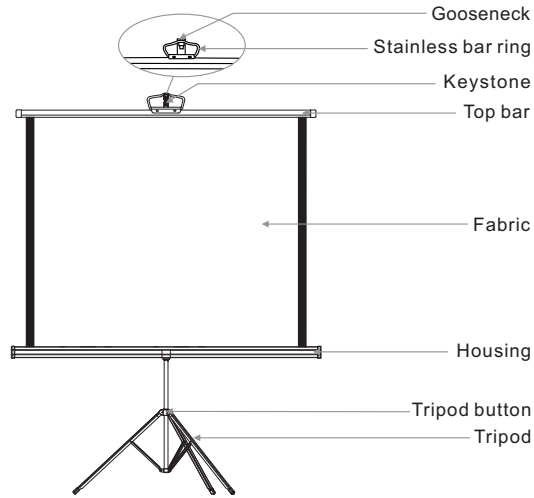
**Technical Assistance**

If you need help with installing this screen please visit  
[www.sapphireav.com](http://www.sapphireav.com)



Thank you for purchasing a sapphire projection screen.  
Before use, please read instructions carefully. After installation, store instructions for future reference.

## Description



## Warnings

1. Please make sure the Tripod stand is fully extending during using, this can assure stability and safety.
2. You can lower down the screen height according to adjusting the height of Adjusting uphold bar. But please hold the Adjusting uphold bar first then press the Magic button (refer to step 3 of Screen retraction for detail), while not it would lead to damage to the screen.
3. There is a nail at the middle of screen Top bar, please make sure it to be locked onto the slot nearby the Plastic handle. Otherwise it would cause damage during carrying.
4. During retracting, please make sure the Plastic hook lock into a hole on the housing.



Ignoring the safety warnings may lead to injuries and/or damaging the product.



Roll up the screen after every use. Leaving it hanging for a long period of time may cause the fabric to loosen.



Refrain from hanging anything on the screen as it may cause the screen to fall.

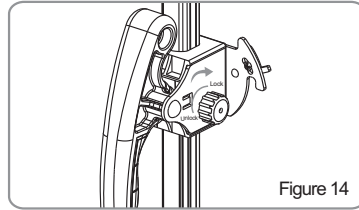


Please contact your local dealer for repairs or maintenance. Please contact our company if you have any further questions. Avoid taking apart the fixtures yourself. Loose parts may cause the screen to fall.

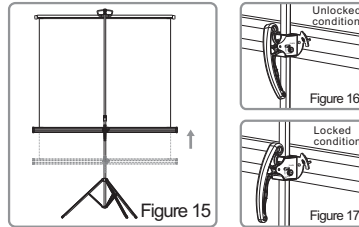
Do not take apart and replace with unknown parts. If there are any problems, please contact your local dealer. Product specifications are subject to change.

## Retracting the Screen

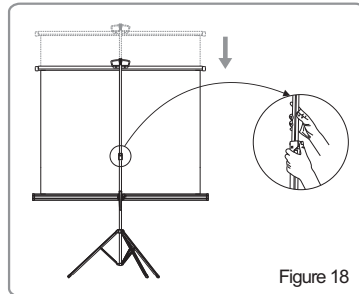
1. Turn the lock button to "LOCK" position.  
(Figure 14)



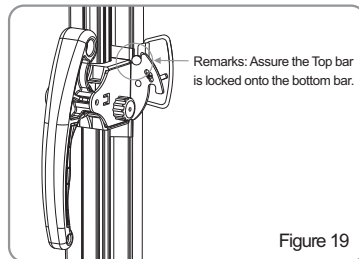
2. Unlock the plastic handle, raise the housing by pulling up the hand until a "click" sound, then lock the plastic handle. (Figure 15 - 17)



3. Hold the Adjusting uphold bar with one hand, then press the Magic button with another hand to lower down the Adjusting uphold bar to lowest position.  
(Figure 18)

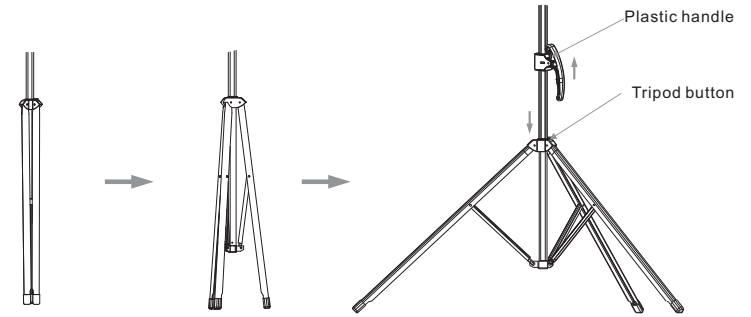


4. Lift the bar ring from the gooseneck and slowly complete re-rolling the screen fabric into the housing, swing the housing into vertical position, push gooseneck into opening on case end cap until it locks. (Figure 19)

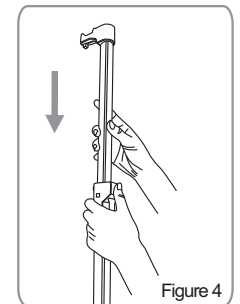
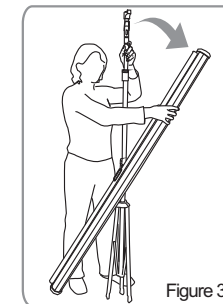
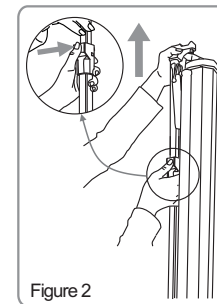


## Displaying the Screen

1. To hold the plastic handle with your left hand, and press down the Tripod button to its downmost extending angle with your right hand, so that it can stand stably. (Figure 1)



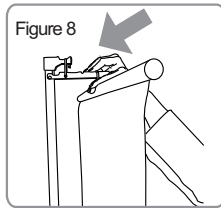
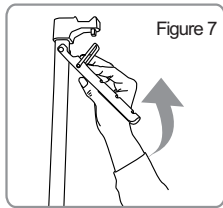
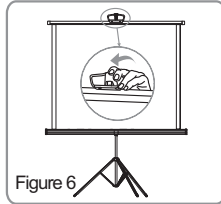
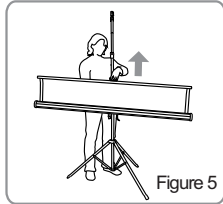
2. Open the screen in usual manner by pressing push button. (Figure 2)
3. Rotate the housing counterclockwise until horizontal position. (Figure 3)
4. Press the Magic button to lower down Adjusting uphold bar to the lowest point. (Figure 4)



5. Displaying the screen:

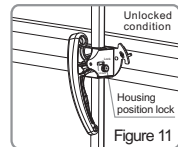
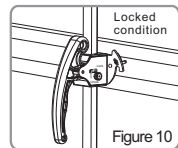
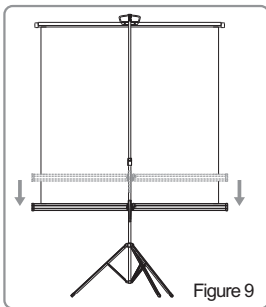
Method 1: Lift and hang the Stainless bar ring onto the Plastic hook. ( Figure 5 - 6 )

Method 2: Raise the extension rod and secure by hooking rig over gooseneck, lift the screen fabric and hook it on the one of the slots in the eliminator. You could choose from the three slots according to the degree of tilt of the surface. ( Figure 7 - 8 )



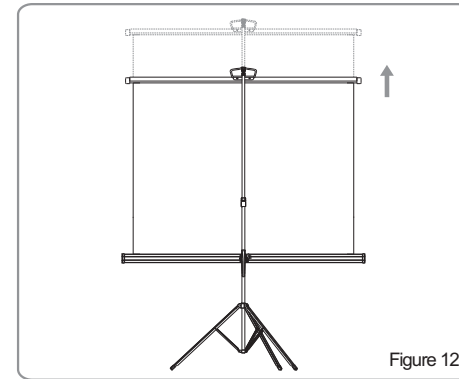
6. To meet different viewing height (from floor to housing), you can adjust the position of housing via the Plastic handle. ( Figure 9 )

Method: Turn the lock button to “Unlock” position, unlock the plastic handle, lower down the housing by pulling down the plastic handle to desired position , then lock the plastic handle. ( Figure 10 - 11 )



7. Grasp bottom bar firmly with one hand, grasp and raise adjusting bar with another hand. (Figure 12)

Remarks: You don't need to press the Magic button while raise the Adjusting uphold bar. The screen viewing area can display in 1 : 1 , 4 : 3 or 16 : 9 format according to different height of Adjusting uphold bar and height of housing.



**Special Housing adjusting system**

If the housing is a little inclined when fully displayed, it could be adjusted by adjusting the Housing level adjusting mechanism. ( Figure 13 )

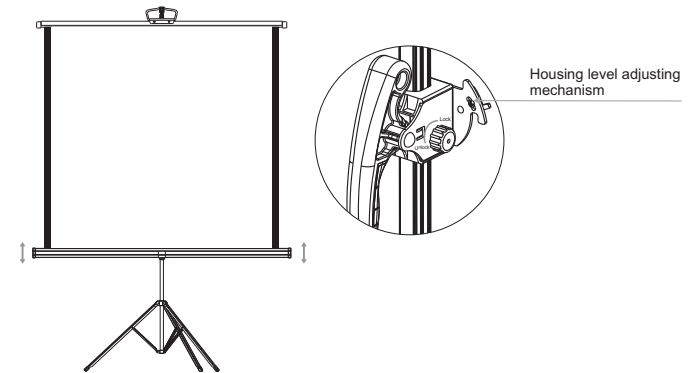


Figure 13