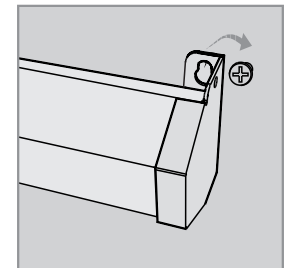
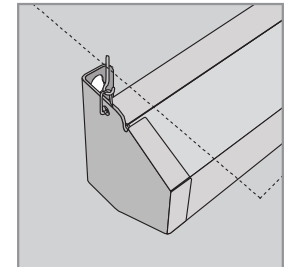
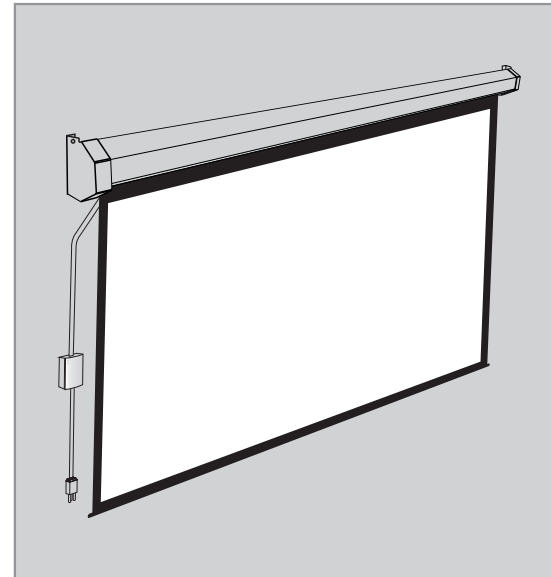




- Designed to reflect high quality images
- Designed for simple installation and use



Installation Guide for Elegant Series Motorized Screen

- Top quality fabrics for a perfectly flat viewing area projecting vibrant colours.
- Somfy Tubular motor for increased reliability with five year warranty on the motor.
- Easy fit Channel Brackets to ensure you can easily mount safely.

Technical Assistance

If you need help with installing this screen please visit
www.sapphireav.com

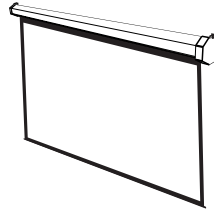


Thank you for purchasing a sapphire projection screen.

Before use, please read instructions carefully. After installation, store instructions for future reference.

Thank You For Choosing Sapphire

Sapphire screens are the result of many years on research for the best materials and are built to a very high standard using ISO9001-2000 to ensure that each product is free of defects. They are covered under manufacturers warranty for a period of two years against manufacturing defect. Elegant Sapphire screens all use the Somfy Motors with a five year warranty against defect. They will have a powered by Somfy sticker on the front to indicate the extra warranty. For warranty details please visit www.sapphireav.com



Product Safety







To ensure your safety, please read "Product Manual and Warnings"

- Always ensure that there is solid wood, concrete, metal or a solid wall to fix to. Never use just plasterboard and ensure that you test the fixings carefully before hanging the screen.
 - When you offer up the screen ensure that you have it locked into the bracket securely at both ends.
- IF YOU HAVE ANY CONCERNS ABOUT THE STABILITY OF THE BRACKET FIXINGS DO NOT HANG THE SCREEN TAKE PROFESSIONAL ADVICE FROM A BUILDING SURVEYOR OR OTHER PROFESSIONAL INSTALLER.**
- While installing electrical motors, please hire professionals or your local dealer to ensure safety.
 - Please read the following as any damage to the screen surface will affect the quality of the picture:
 1. Avoid contact or touching the screen surface as it may cause scratches or tears.
 2. Do not write or draw on the surface
 3. Clean the screen with a soft cloth and lukewarm water. Do not use any detergent or cleaning products.
 - Roll up the screen after every use. Ensure that the screen is level when installing ;do not pull on the sides or fold the screen.
 - To prevent damage , the operating and maintenance of the screen should be done by adults.

Product Features

- Trendy and Elegant
The hexagon metal casing design is simple and stylish. The white cover is coated with PVC technology that enhances the feel and esthetics.
- Durability
This series uses thicker rolling rods that can withstand extra pressure from screens as big as 240 inches.
- Life-Size Realistic Experience
This series of screens comes in different sizes with models up to 240 inches. The life-size images are exceptional and realistic.
- Location
It is suited for various venues such as education facilities, home theatres, boardrooms, or other entertainment sites.

Warnings

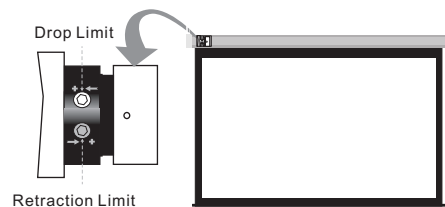
 Ignoring the safety warnings may lead to injuries and/or damaging the product.	 Fixtures should be installed in a secure manner to avoid accidents or the screen falling.
 Do not connect any electrical attachments or remote controls.	 Roll up the screen after every use. Leaving it hanging for a long period of time may cause the fabric to stretch.
 Please contact your local dealer for repairs or maintenance. Avoid taking apart the screen or the warrants will be void.	 Refrain from hanging anything on the screen as it may cause the screen to fall.

Product specifications are subject to change.

Instructions

Attention:

- > Please make sure there is no dust or dirt on the fabric surface before rolling it back to the casing
- > The recommended working time is less than 50 seconds. The motor will enter overheating protection status and stop working for every continuous 4 minutes operation, user would need to wait for a while until the motor cool down before operating again.
- > There is no lube needed for the motor. Please be noticed that the appropriate setting is optimized which requires no further adjustment, please consult the after sales team before adjusting the limits.



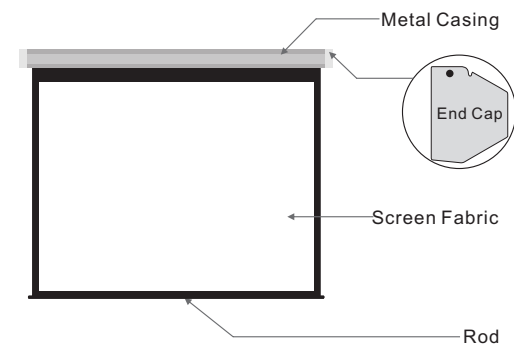
adjusting the bottom drop of the fabric
(+ ←) Turn anticlockwise for the screen to come down further.

Turn clockwise to reduce the drop and therefore the amount of black border at the top of the screen.

adjusting the top stops on the screen fabric.
(→ +) Turn the allen key anticlockwise to make the screen stop earlier when going into the case. If you turn the key clockwise the screen will retract further into the case. MAKE SURE YOU TURN THIS CAREFULLY AS WE WILL NOT BE RESPONSIBLE FOR DAMAGE SHOULD THE MOTOR OR FABRIC SHOULD IT TRY TO PULL THE FABRIC TOO FAR INTO THE CASE.

Each turn of the key will only make a small difference to the drop of the screen approx 10cm.

Description



Accessories

- $\varnothing 5$ Allen Key(1pcs)

- Instruction Manual(1pcs)

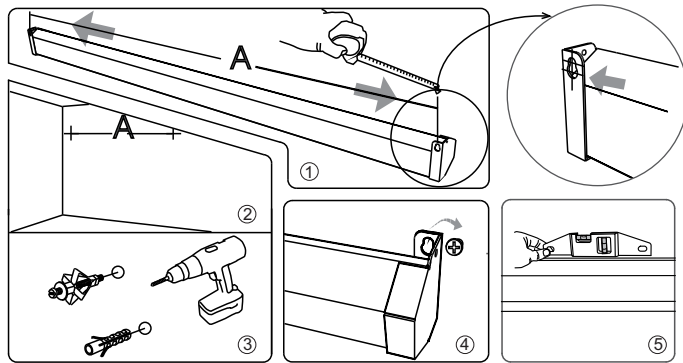


Installation

This projection screen should be installed at the best possible viewing position for the audience. Take out all the parts from the packaging and follow the accessories guideline to ensure you have all parts. The parts needed will vary depending on which installation you choose to use.

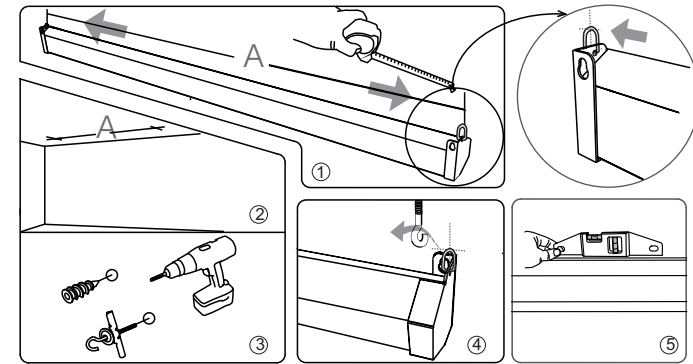
Wall Mount

Using a tape measure, measure the distance between the two keyholes on the casing. (Figure 1). According to the measurement, use the drill to drill identical holes of the appropriate size (use a smaller drill bit than the actual screws) on the wall and ensure that it is level (Figure 2 and 3).



Ceiling Mount

Using a tape measure, measure the distance between the two rings for hanging on the casing. (Figure 1). According to the measurement, use the drill to drill identical holes of the appropriate size (use a smaller drill bit than the actual hook screws) on the ceiling and ensure that it is level (Figure 2 and 3). Screw in the hook screws (not provided), and lift the screen into the hooks screws to hang (Figure 4). To ensure that the screen is level, use a leveler to check (Figure 5).



Without mounting bracket installation

